

T estpassport 考题



质 量 更 高 服 务 更 好

免费半年更新服务
<http://www.testpassport.cn>

Exam : **640-801**

Title : Cisco Certified Network
Associate (CCNA)

Version : DEMO

1.If an ethernet port on a router was assigned an IP address of 172.16.112.1/20, what is the maximum number of hosts allowed on this subnet?

- A.1024
- B.2046
- C.4094
- D.4096
- E.8190

Correct:C

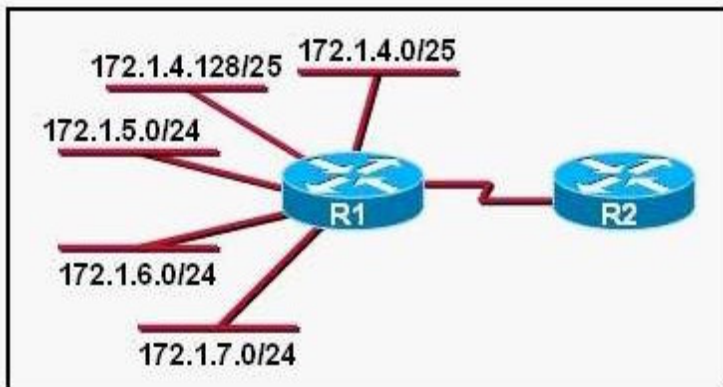
2.An access list was written with the four statements shown in the graphic. Which single access list statement will combine all four of these statements into a single statement that will have exactly the same effect?

```
access-list 10 permit 172.29.16.0 0.0.0.255
access-list 10 permit 172.29.17.0 0.0.0.255
access-list 10 permit 172.29.18.0 0.0.0.255
access-list 10 permit 172.29.19.0 0.0.0.255
```

- A.access-list 10 permit 172.29.16.0 0.0.0.255
- B.access-list 10 permit 172.29.16.0 0.0.1.255
- C.access-list 10 permit 172.29.16.0 0.0.3.255
- D.access-list 10 permit 172.29.16.0 0.0.15.255
- E.access-list 10 permit 172.29.0.0 0.0.255.255

Correct:C

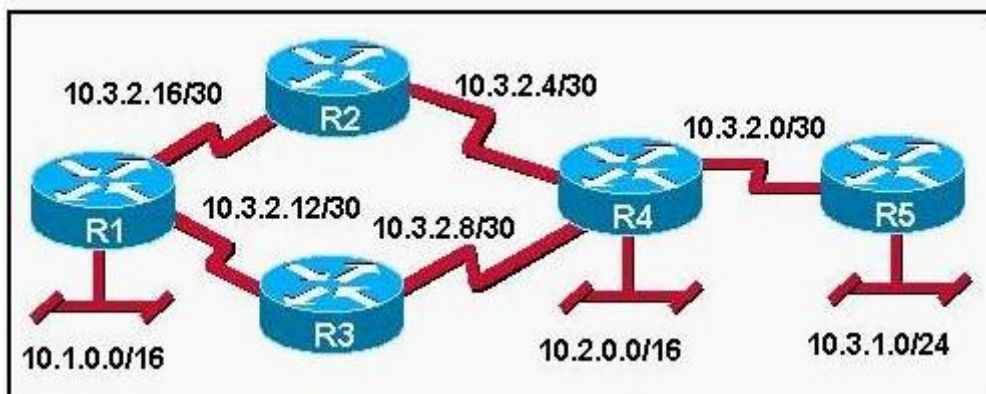
3.Refer to the exhibit. What is the most efficient summarization that R1 can use to advertise its networks to R2?



- A.172.1.0.0/22
- B.172.1.0.0/21
- C.172.1.4.0/22
- D.172.1.4.0/24172.1.5.0/24172.1.6.0/24172.1.7.0/24
- E.172.1.4.0/25172.1.4.128/25172.1.5.0/24172.1.6.0/24172.1.7.0/24

Correct:C

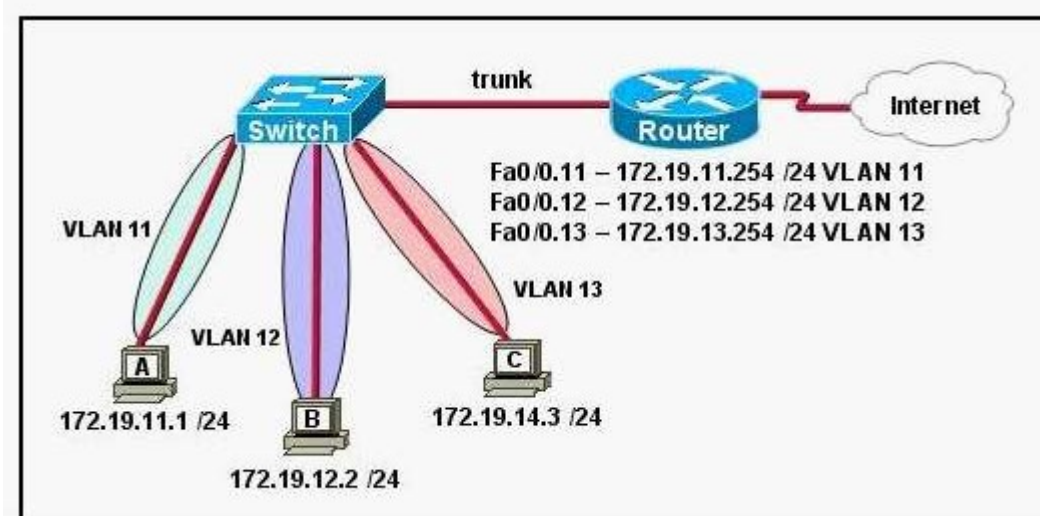
4.Which routing protocols can be used within the enterprise network shown in the diagram? (Choose three.)



- A.RIP v1
- B.RIP v2
- C.IGRP
- D.OSPF
- E.BGP
- F.EIGRP

Correct: B D F

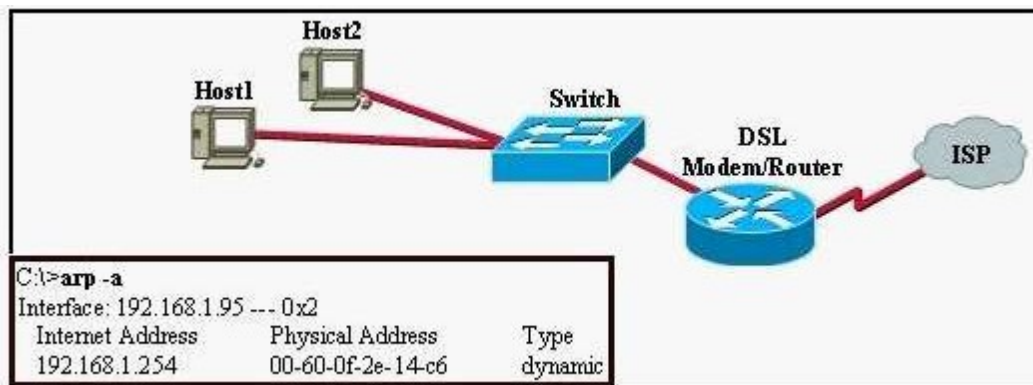
5.Refer to the exhibit. The network shown in the exhibit has just been installed. Host B can access the Internet, but it is unable to ping host C. What is the problem with this configuration?



- A.Host B should be in VLAN 13.
- B.The address of host C is incorrect.
- C.The gateway for host B is in a different subnet than the host is on.
- D.The switch port that sends VLAN 13 frames from the switch to the router is shut down.
- E.The switch port connected to the router is incorrectly configured as an access port.

Correct: B

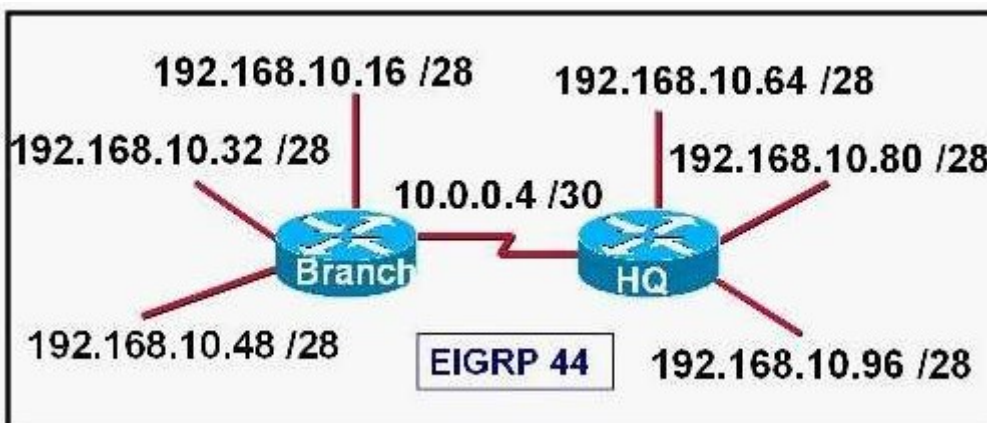
6.The user of Host1 wants to ping the DSL modem/router at 192.168.1.254. Based on the Host1 ARP table that is shown in the exhibit, what will Host1 do?



- A.send a unicast ARP packet to the DSL modem/router
- B.send unicast ICMP packets to the DSL modem/router
- C.send Layer 3 broadcast packets to which the DSL modem/router responds
- D.send a Layer 2 broadcast that is received by Host2, the switch, and the DSL modem/router

Correct:B

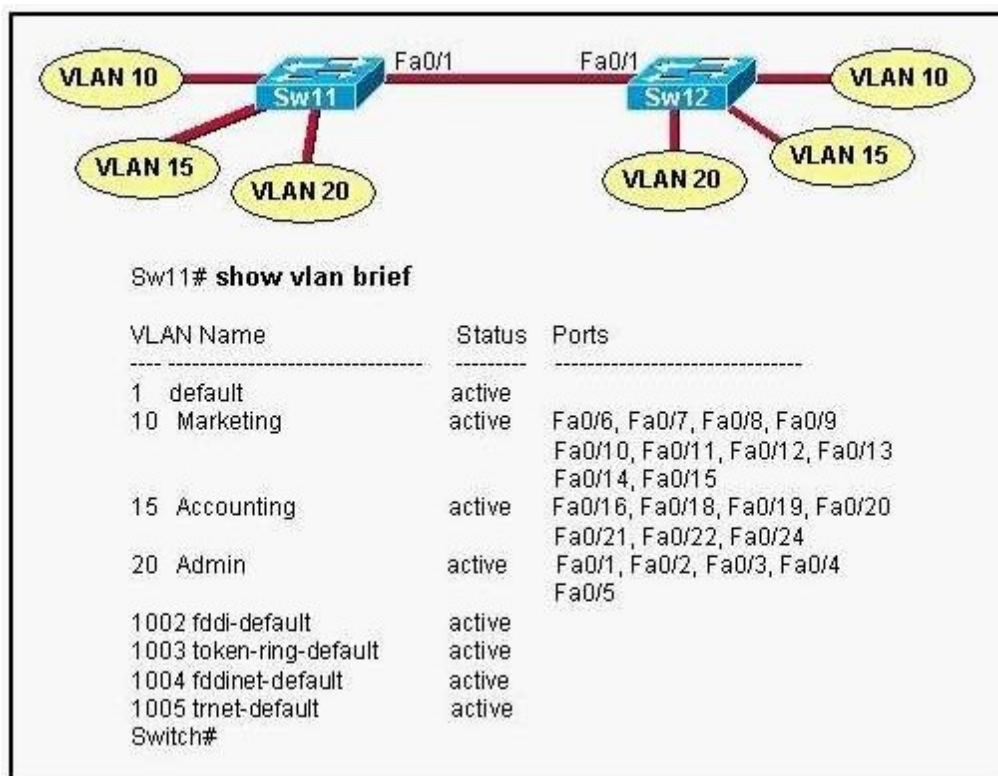
7.An internetwork has been configured as shown in the diagram, with both routers using EIGRP routing for AS 44. Users on the Branch router are unable to reach any of the subnets on the HQ router. Which of the following commands is necessary to fix this problem?



- A.Branch(config-router)# version 2
- B.Branch(config-router)# no auto-summary
- C.Branch(config-router)# redistribute eigrp 44
- D.Branch(config-router)# eigrp log-neighbor-changes
- E.Branch(config-router)# default-information originate

Correct:B

8.Refer to the topology and router output shown in the exhibit. A technician is troubleshooting host connectivity issues on the switches. The hosts in VLANs 10 and 15 on Sw11 are unable to communicate with hosts in the same VLANs on Sw12. Hosts in the Admin VLAN are able to communicate. The port-to-VLAN assignments are identical on the two switches. What could be the problem?



- A. The Fa0/1 port is not operational on one of the switches.
- B. The link connecting the switches has not been configured as a trunk.
- C. At least one port needs to be configured in VLAN 1 for VLANs 10 and 15 to be able to communicate.
- D. Port FastEthernet 0/1 needs to be configured as an access link on both switches.
- E. A router is required for hosts on SW11 in VLANs 10 and 15 to communicate with hosts in the same VLAN on Sw12.

Correct: B

9. Which line from the output of the show ip interface command indicates that there is a Layer 1 problem?

- A. Serial0/1 is up, line protocol is up
- B. Serial0/1 is up, line protocol is down
- C. Serial0/1 is down, line protocol is down
- D. Serial0/1 is administratively down, line protocol is down

Correct: C

10. When a new trunk link is configured on an IOS based switch, which VLANs are allowed over the link?

- A. By default, all defined VLANs are allowed on the trunk.
- B. Each single VLAN, or VLAN range, must be specified with the switchport mode command.
- C. Each single VLAN, or VLAN range, must be specified with the vtp domain command.
- D. Each single VLAN, or VLAN range, must be specified with the vlan database command.

Correct: A

11. Refer to the exhibit. What is the meaning of the term dynamic as displayed in the output of the show frame-relay map command shown?

```
R1# show frame-relay map
Serial0/0 (up): ip 172.16.3.1 dlci 100 (0x64, 0x1840), dynamic
broadcast,, status defined, active
```

- A.The Serial0/0 interface is passing traffic.
- B.The DLCI 100 was dynamically allocated by the router.
- C.The Serial0/0 interface acquired the IP address of 172.16.3.1 from a DHCP server.
- D.The DLCI 100 will be dynamically changed as required to adapt to changes in the Frame Relay cloud.
- E.The mapping between DLCI 100 and the end station IP address 172.16.3.1 was learned through Inverse ARP.

Correct:E

12.Which form of NAT maps multiple private IP addresses to a single registered IP address by using different ports?

- A.static NAT
- B.dynamic NAT
- C.overloading
- D.overlapping
- E.port loading

Correct:C

13.Which connections allow the use of full-duplex Ethernet?(Choose three.)

- A.switch to host
- B.switch to switch
- C.hub to hub
- D.switch to hub
- E.host to host

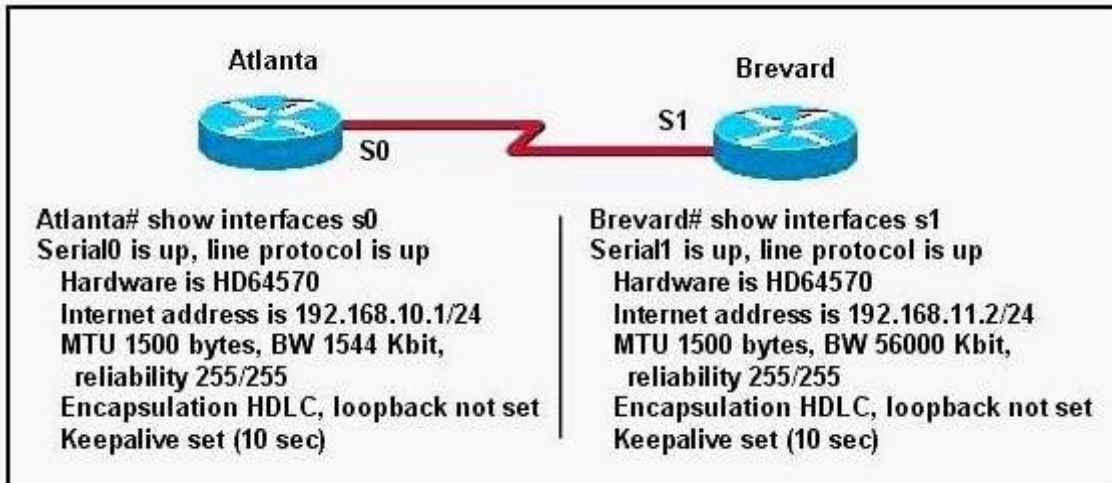
Correct:A B E

14.Which of the following are characteristics of a Frame Relay point-to-point subinterface? (Choose two.)

- A.requires use of Inverse ARP
- B.resolves NBMA split horizon issues
- C.requires the frame-relay map command
- D.maps one IP subnet per DLCI
- E.maps one IP subnet across multiple DLCIs

Correct:B D

15.Two routers named Atlanta and Brevard are connected by their serial interfaces as shown in the exhibit, but there is no data connectivity between them. The Atlanta router is known to have a correct configuration. Given the partial configurations shown in the exhibit, what is the problem on the Brevard router that is causing the lack of connectivity?



- A. A loopback is not set.
- B. The IP address is incorrect.
- C. The subnet mask is incorrect.
- D. The serial line encapsulations are incompatible.
- E. The maximum transmission unit (MTU) size is too large.
- F. The bandwidth setting is incompatible with the connected interface.

Correct: B

16. Refer to the exhibit. The technician wants to upload a new IOS in the router while keeping the existing IOS. What is the maximum size of an IOS file that could be loaded if the original IOS is also kept in flash?

```
Router# show flash
System flash directory:
File Length Name/status
1 3802992 c827v-y6-mz.121-1.XB
[3803056 bytes used, 4585552 available, 8388608 total]

8192K bytes of processor board System flash (Read/Write)
```

- A. 3 MB
- B. 4 MB
- C. 5 MB
- D. 7 MB
- E. 8 MB

Correct: B

17. Refer to the exhibit. To what does the 128 refer in the router output O 192.168.12.240/30 [110/128] via 192.168.12.233,00:35:36, Serial 0?

```

ROUTER# show ip route
192.168.12.0/24 is variably subnetted, 9 subnets, 3 masks
C 192.168.12.64/28 is directly connected, Loopback1
C 192.168.12.32/28 is directly connected, Ethernet0
C 192.168.12.48/28 is directly connected, Loopback0
O 192.168.12.236/30 [110/128] via 192.168.12.233,00:35:36, Serial0
C 192.168.12.232/30 is directly connected, Serial0
O 192.168.12.245/32 [110/782] via 192.168.12.233,00:35:36, Serial0
O 192.168.12.240/30 [110/128] via 192.168.12.233,00:35:36, Serial0
O 192.168.12.253/32 [110/782] via 192.168.12.233,00:35:37, Serial0
O 192.168.12.249/32 [110/782] via 192.168.12.233,00:35:37, Serial0
    
```

- A.OSPF cost
- B.OSPF priority
- C.OSPF hop count
- D.OSPF ID number
- E.OSPF administrative distance

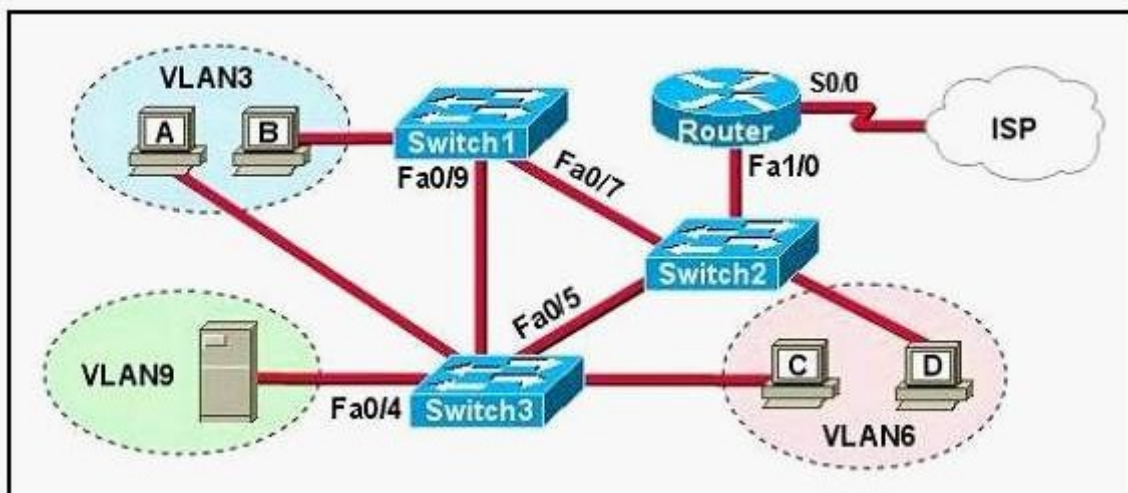
Correct:A

18.What does the "Inside Global" address represent in the configuration of NAT?

- A.the summarized address for all of the internal subnetted addresses
- B.the MAC address of the router used by inside hosts to connect to the Internet
- C.a globally unique, private IP address assigned to a host on the inside network
- D.a registered address that represents an inside host to an outside network

Correct:D

19.Refer to the exhibit. A problem with network connectivity has been observed. It is suspected that the cable connected to switch port Fa0/9 on Switch1 is disconnected. What would be an effect of this cable being disconnected?



- A.Host B would not be able to access the server in VLAN9 until the cable is reconnected.
- B.Communication between VLAN3 and the other VLANs would be disabled.
- C.The transfer of files from Host B to the server in VLAN9 would be significantly slower.
- D.For less than a minute, Host B would not be able to access the server in VLAN9. Then normal network function would resume.

Correct:D

20.All WAN links inside the ABC University network use PPP with CHAP for authentication security. Which command will display the CHAP authentication process as it occurs between two routers in the network?

- A.show CHAP authentication
- B.show interface serial0
- C.debug PPP authentication
- D.debug CHAP authentication
- E.show ppp authentication chap

Correct:C